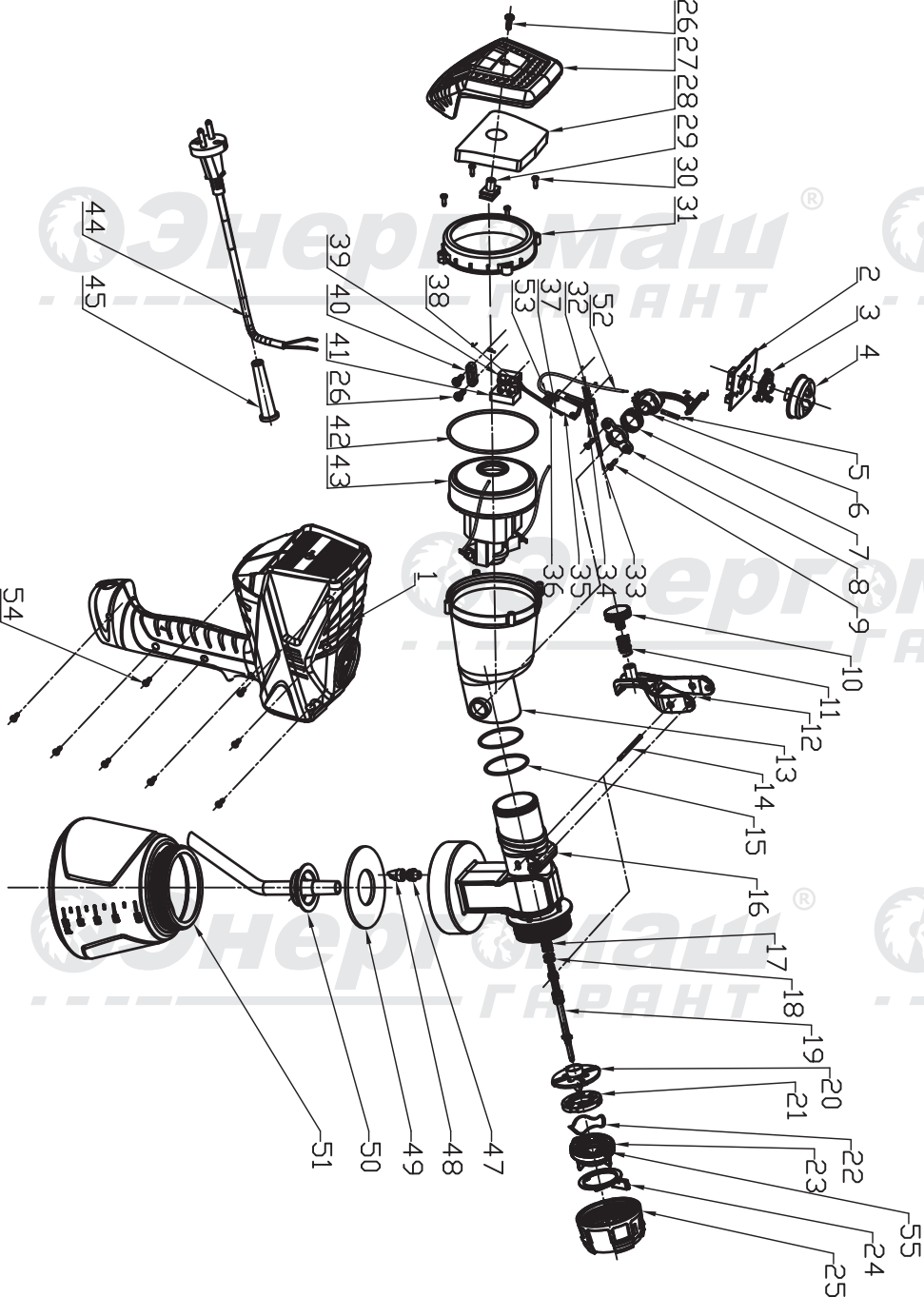


КП1-650P



NO.	DESCRIPTION	SPEC.	NO.	DESCRIPTION	SPEC.
1	HOUSING		30	SCREW	ST3*10
2	PCB CONTROL PANEL		31	MOTOR SET COVER	
3	ADJUST KNOB BRACKET		32	SWITCH RESET SPRING	
4	COARSE ADJUST KNOB		33	TRIGGER PIN	
5	GUN BODY LOCK KNOB PIN		34	SWITCH RESET BLOCK	
6	GUN BODY LOCK KNOB		35	POWER SWITCH	
7	GUN BODY LOCK KNOB SPRING		36	INSERT SPRING SOCKET	4.8
8	FIXED BLOCK		37	SPRING	4.8
9	SCREW	ST3*6	38	SHORT INTERNAL WIRING	
10	ADJUST KNOB-2		39	TERMINAL BLOCK	
11	ADJUST KNOB SPRING		40	PLASTIC CORD HOLDER	
12	TRIGGER		41	CAPACITOR	
13	MOTOR SEAT		42	MOTOR SEAL RING	
14	ADJUST KNOB PIN		43	MOTOR	
15	GUN BODY SEAL RING		44	POWER CORE & PLUG	
16	GUN BODY		45	CORD SLEEVE	
17	REGULATING ROD SPRING		47	CHECK VALVE SEAT	
18	REGULATING ROD SEAL RING		48	CHECK VALVE	
19	REGULATING ROD		49	PAINT CONTAINER SEAL RING	
20	NOZZLE		50	STRAW	
21	CHANGE NOZZLE FLOATING BLOCK		51	PAINT CONTAINER	
22	LEAF SPRING		52	LONG INTERNAL WIRING	
23	CHANGE NOZZLE		53	INSERT SPRING SOCKETN	
24	WIDTH CONTROL BUTTON		54	SCREW	6.3mm*Ø4mm
25	CAP NUT		55	ELATIC PLATE	ST3*14
26	SCREW	ST4*12			
27	DUST-PROOF COVER				
28	SOUNDPROOF SPONGE				
29	AUXILIARY SCREW BLOCK				

KP1-650R ex-RUS20211221